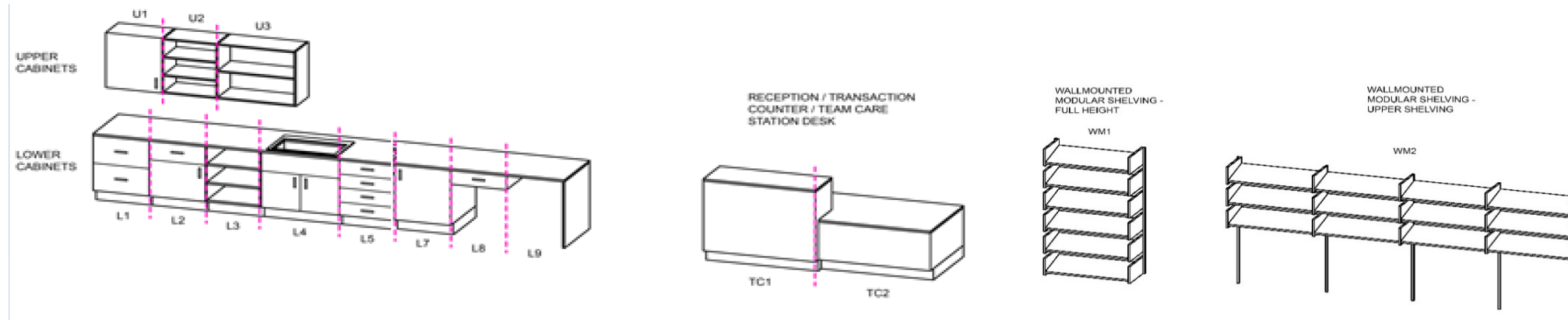


APPENDIX 3L - MILLWORK AND MODULAR CASEWORK MATRIX

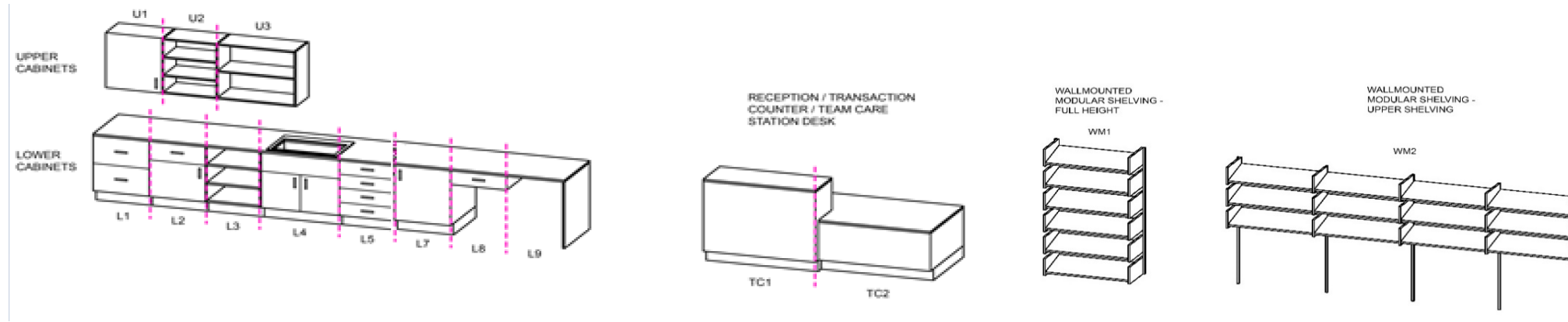


- Legend**
Category 0 - None
Category 1 - Low (1% - 4%)
Category 2 - Med (5% - 9%)
Category 3 - High (10% or Greater)

Note 1: The above diagrams are sample configurations only. Design of Millwork and Modular Casework will be as determined with the Owner through the process described in Appendix 2C [User Consultation and Design Review].
Note 2: Technical workspaces (Including Lab, Pharmacy, Biomed, FMO, MDRD, and Food Services spaces) to include Modular Casework and workstations, as required to meet the requirements in Schedule 3 Design and Construction Specifications and are not detailed in this matrix.
Note 3: Room name and reference numbers based on Schedule 3A Clinical Specifications and Functional Space requirements and are subject to change throughout design.

Ref. No.	Room Type	Counters/Cabinets/Shelvings																	Miscellaneous					Modular Casework																									
		Category	Min. Millwork / Modular Casework Length	Upper Cabinets			Lower Cabinets									Reception / Transaction Counter / Team Care Station Desk		Wallmounted Modular Shelving		Height Adjustable	Patient Wardrobe	Recessed Toiletries Shelves	PACS Wallmounted Workstation		Downtime Chart Storage	Recycling Accomodation																							
				U1	U2	U3	L1	L2	L3	L4	L5	L7	L8	L9	TC1	TC2	WM1	WM2																															
D3.2.9	Care Team Station	3	9000	✓				✓							✓		✓			✓								✓																					
D3.2.11	Pneumatic Tube Station	3	305						✓																																								
D3.2.12	Medication Room-Medium	3	4000	✓				✓		✓	✓							✓	✓										✓																				
D3.2.13	Nourishment Room	3	1800	✓	✓	✓	✓	✓	✓	✓	✓																																						
D3.3 - Renal Hemodialysis Support Services																																																	
D3.3.6	Store-Central Equipment	3	6000	✓																																													
D3.3.8	Soiled Utility	3	2400			✓			✓		✓																																						
D3.3.10	Housekeeping Closet	2	915	✓																																													
D3.3.11	Soiled Equipment Hold	3	1800		✓					✓																																							
D3.4 - Renal Hemodialysis Staff Support																																																	
D3.4.1	Workroom-Dialysis Technicians	0		REFER TO SCHEDULE 3 - DESIGN AND CONSTRUCTION SPECIFICATIONS																																													
D3.4.3	Conference/Meeting Room-Medium	1	1800	✓											✓	✓	✓																																
D4 - PERITONEAL DIALYSIS																																																	
D4.1 - Peritoneal Dialysis Clinic																																																	
D4.1.1	Exam Room	2	1500	✓							✓	✓																			✓																		
D4.1.2	Peritoneal-Dialysis Training Station-Bed-Airborne Isolation-Hybrid	2	1220	✓					✓		✓																																						
D4.1.3	Peritoneal-Dialysis Training Station-Bed	2	1220	✓					✓		✓																																						
D4.1.4	Peritoneal-Dialysis Drop-in Treatment Station	2	1220	✓					✓		✓																																						
D4.1.5	Peritoneal-Dialysis Teaching Station-Open Bay	2	1220	✓					✓		✓																																						
D4.1.7	Care Team Station	3	9000	✓					✓					✓		✓	✓											✓			✓																		
D4.1.9	Pneumatic Tube Station	3	305							✓																																							
D4.1.10	Nourishment Room	3	1800	✓	✓	✓	✓	✓	✓	✓	✓																																						
D4.2 - Peritoneal Dialysis Support Services																																																	
D4.2.5	Store-General	3	3000			✓			✓																																								
D4.2.6	Soiled Utility	3	2400			✓			✓		✓																																						
D4.3 - Peritoneal Dialysis Staff Support																																																	
D5 - RENAL OUTPATIENT OPERATIONS HUB																																																	
D5.1	Office-Private	1	500																																														
D5.2	Workstation	3	1500	✓					✓					✓	✓																	✓																	
D5.3	Store-Office Support	3	1500	✓		✓			✓	✓				✓	✓																																		
D5.4	Workstation	3	1000	✓					✓					✓	✓																		✓																
D6 - RENAL OUTPATIENT SHARED SUPPORT SERVICES																																																	
D6.1	Workroom-Biomedical Engineering	0		REFER TO SCHEDULE 3 - DESIGN AND CONSTRUCTION SPECIFICATIONS																																													
D6.2	Store-Local Equipment	3	5000	✓																																													
D6.4	Housekeeping Closet	2	915	✓																																													
D7 - RENAL OUTPATIENT SHARED STAFF SUPPORT																																																	

APPENDIX 3L - MILLWORK AND MODULAR CASEWORK MATRIX

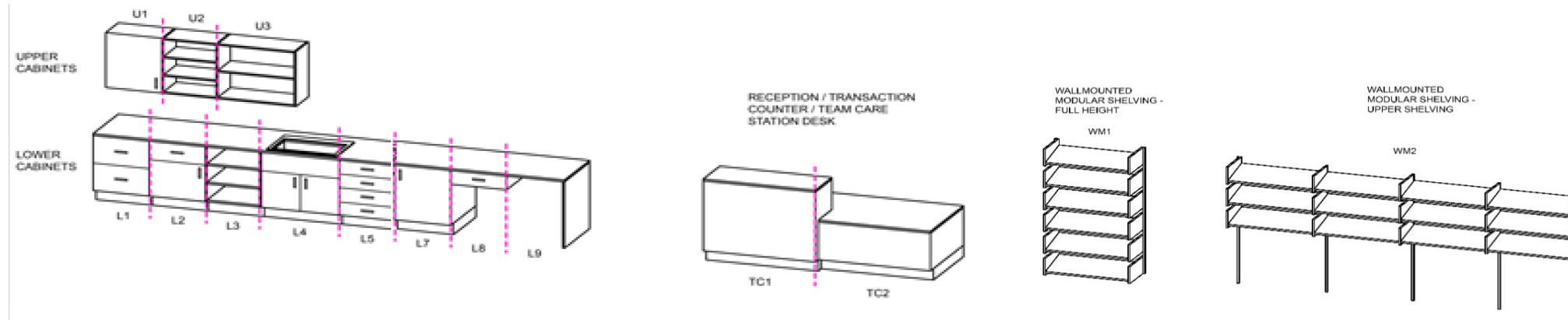


- Legend**
 Category 0 - None
 Category 1 - Low (1% - 4%)
 Category 2 - Med (5% - 9%)
 Category 3 - High (10% or Greater)

Note 1: The above diagrams are sample configurations only. Design of Millwork and Modular Casework will be as determined with the Owner through the process described in Appendix 2C [User Consultation and Design Review].
 Note 2: Technical workspaces (Including Lab, Pharmacy, Biomed, FMO, MDRD, and Food Services spaces) to include Modular Casework and workstations, as required to meet the requirements in Schedule 3 Design and Construction Specifications and are not detailed in this matrix.
 Note 3: Room name and reference numbers based on Schedule 3A Clinical Specifications and Functional Space requirements and are subject to change throughout design.

Ref. No.	Room Type	Counters/Cabinets/Shelvings															Miscellaneous					Modular Casework							
		Category	Min. Millwork / Modular Casework Length	Upper Cabinets			Lower Cabinets									Reception / Transaction Counter / Team Care Station Desk		Wallmounted Modular Shelving		Height Adjustable	Patient Wardrobe		Recessed Toiletries Shelves	PACS Wallmounted Workstation	Downtime Chart Storage	Recycling Accomodation			
				U1	U2	U3	L1	L2	L3	L4	L5	L7	L8	L9	TC1	TC2	WM1	WM2											
I2.3.1	Waiting	1																									3-opening	✓	
I2.3.5	Imaging-CT	1	2000	✓				✓	✓	✓																			
I2.3.6	Control-Imaging	3	3000	✓			✓		✓																				
I2.3.10	Conference/Meeting Room	1	2400	✓											✓	✓	✓												
I2.3.11	Reading Room-PACS	0																							✓				
I2.3.12	Alcove-Medication	3	2700	✓				✓						✓				✓	✓										
I2.4 - MRI																													
I2.4.2	Waiting	1																										3-opening	✓
I2.4.5	Imaging-MRI	1	2000	✓				✓																					
I2.4.6	Control-Imaging	3	3000	✓			✓		✓																				
I2.4.9	Xenon Hyperpolarizer Room	2	1000	✓				✓																					
I2.4.10	Conference/Meeting Room	1	3000	✓											✓	✓	✓												
I2.4.11	Alcove-Medication	3	2700	✓				✓						✓				✓	✓										
I2.4.12	Workstation	3	1500	✓				✓														✓							
I2.4.16	Consult/Interview Room	3	1500	✓										✓															
I2.5 - Nuclear Medicine																													
I2.5.1	Waiting-Cold	1																										3-opening	✓
I2.5.2	Waiting-Hot	1																										3-opening	✓
I2.5.5	Exam Room	2	1500	✓							✓	✓																	
I2.5.9	Imaging-Nuclear Medicine	1	2000	✓				✓																					
I2.5.10	Control-Imaging	3	3000	✓			✓		✓																				
I2.5.13	Stress Test-Set-up	3	915		✓			✓																					
I2.5.14	Exam Room-Stress Test-Nuclear	2	4500	✓						✓	✓																		
I2.5.16	Workstation-Touchdown	3	1500	✓				✓														✓							
I2.5.17	Alcove-Medication	3	2700	✓				✓						✓				✓	✓										
I2.5.18	Reading Room-PACS	0																							✓				
I2.5.20	Workstation-Tech Post Processing	3	1500	✓				✓							✓	✓						✓							
I2.5.21	Hot Lab	0		REFER TO SCHEDULE 3 - DESIGN AND CONSTRUCTION SPECIFICATIONS																									
I2.5.22	Cell labelling lab	0		REFER TO SCHEDULE 3 - DESIGN AND CONSTRUCTION SPECIFICATIONS																									
I2.5.23	Radiopharmaceutical Compounding Lab	0		REFER TO SCHEDULE 3 - DESIGN AND CONSTRUCTION SPECIFICATIONS																									
I2.5.24	Low Level Lab	0		REFER TO SCHEDULE 3 - DESIGN AND CONSTRUCTION SPECIFICATIONS																									
I2.5.25	Anteroom	0		REFER TO SCHEDULE 3 - DESIGN AND CONSTRUCTION SPECIFICATIONS																									
I2.5.26	Mo/TC Generator	2	1200	✓											✓														
I2.5.30	Store-General	3	3000			✓			✓																				
I2.5.37	Imaging-Nuclear Medicine-Large	1	3000	✓				✓	✓																				
I2.6 - Bone Densitometry																													

APPENDIX 3L - MILLWORK AND MODULAR CASEWORK MATRIX

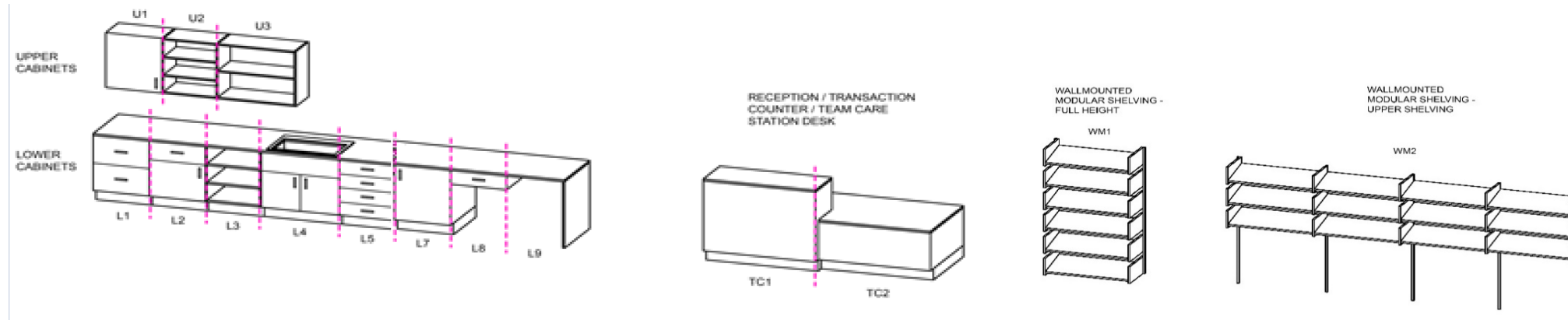


- Legend**
 Category 0 - None
 Category 1 - Low (1% - 4%)
 Category 2 - Med (5% - 9%)
 Category 3 - High (10% or Greater)

Note 1: The above diagrams are sample configurations only. Design of Millwork and Modular Casework will be as determined with the Owner through the process described in Appendix 2C [User Consultation and Design Review].
 Note 2: Technical workspaces (Including Lab, Pharmacy, Biomed, FMO, MDRD, and Food Services spaces) to include Modular Casework and workstations, as required to meet the requirements in Schedule 3 Design and Construction Specifications and are not detailed in this matrix.
 Note 3: Room name and reference numbers based on Schedule 3A Clinical Specifications and Functional Space requirements and are subject to change throughout design.

Ref. No.	Room Type	Counters/Cabinets/Shelvings																Miscellaneous					Modular Casework																														
		Category	Min. Millwork / Modular Casework Length	Upper Cabinets			Lower Cabinets									Reception / Transaction Counter / Team Care Station Desk		Wallmounted Modular Shelving		Height Adjustable	Patient Wardrobe	Recessed Toiletries Shelves		PACS Wallmounted Workstation	Downtime Chart Storage	Recycling Accomodation																											
				U1	U2	U3	L1	L2	L3	L4	L5	L7	L8	L9	TC1	TC2	WM1	WM2																																			
J4.13.10	Workstation	3	1500	✓				✓								✓	✓			✓												✓																					
J4.13.11	Office-Main Lab	1	500																																																		
J4.13.12	Office-2 Shared	1	700																																																		
J4.13.13	Store-Office Support	3	1500	✓		✓			✓																																												
J4.13.14	Lounge-Staff	3	8000	✓				✓		✓	✓	✓																						5-opening	✓																		
J4.13.20	Housekeeping Closet	2	915	✓																																																	
J5 - OUTPATIENT LAB																																																					
J5.1	Reception	3	3000	✓			✓	✓								✓	✓	✓																✓																			
J5.2	Waiting	1																																3-opening	✓																		
J5.3	Phlebotomy Bay-Chair	3	915	✓				✓																																													
J5.4	Phlebotomy Bay-Scooter	2	915	✓				✓																																													
J5.5	Phlebotomy Bay-Stretcher	2	915	✓				✓																																													
J5.7	Pneumatic Tube Station	3	305							✓																																											
J5.8	Office-3 Shared	1	1000																																																		
J5.9	Store-General	3	3000			✓			✓																																												
J6 - MORGUE AND AUTOPSY																																																					
J6.2	Family Grieving Room	2	1500																																																		
J6.3	Cadaver Preparation/Viewing Room	0		REFER TO SCHEDULE 3 - DESIGN AND CONSTRUCTION SPECIFICATIONS																																																	
J6.4	Autopsy Room	0		REFER TO SCHEDULE 3 - DESIGN AND CONSTRUCTION SPECIFICATIONS																																																	
J6.5	Specimen Processing Room	0		REFER TO SCHEDULE 3 - DESIGN AND CONSTRUCTION SPECIFICATIONS																																																	
J6.6	Store-Cadaver	0		REFER TO SCHEDULE 3 - DESIGN AND CONSTRUCTION SPECIFICATIONS																																																	
J6.7	Store-PPE/Other Supplies	0		REFER TO SCHEDULE 3 - DESIGN AND CONSTRUCTION SPECIFICATIONS																																																	
J6.8	Store-Wet Specimens	0		REFER TO SCHEDULE 3 - DESIGN AND CONSTRUCTION SPECIFICATIONS																																																	
J6.11	Office-Private	1	500																																																		
J6.12	Washroom/Shower-Staff	3	1830																																																		
J6.14	Housekeeping Closet	2	915	✓																																																	
K - Centre for Healthy Aging																																																					
K1 - C4HA OUTPATIENT CLINICS																																																					
K1.1 - C4HA Outpatient Clinics Entrance																																																					
K1.1.1	Reception	3	4500	✓			✓	✓																													✓																
K1.1.2	Waiting	1																																			3-opening	✓															
K1.1.3	Waiting-Drop Off/Pick Up	1																																			3-opening	✓															
K1.2 - C4HA Outpatient Clinics Area																																																					
K1.2.1	Consult/Interview Room	3	1500	✓																																		✓															
K1.2.2	Procedure Room	2	1500	✓						✓																												✓															
K1.2.3	Exam Room	2	1500	✓						✓	✓																											✓															

APPENDIX 3L - MILLWORK AND MODULAR CASEWORK MATRIX



Legend
 Category 0 - None
 Category 1 - Low (1% - 4%)
 Category 2 - Med (5% - 9%)
 Category 3 - High (10% or Greater)

Note 1: The above diagrams are sample configurations only. Design of Millwork and Modular Casework will be as determined with the Owner through the process described in Appendix 2C [User Consultation and Design Review].
Note 2: Technical workspaces (Including Lab, Pharmacy, Biomed, FMO, MDRD, and Food Services spaces) to include Modular Casework and workstations, as required to meet the requirements in Schedule 3 Design and Construction Specifications and are not detailed in this matrix.
Note 3: Room name and reference numbers based on Schedule 3A Clinical Specifications and Functional Space requirements and are subject to change throughout design.

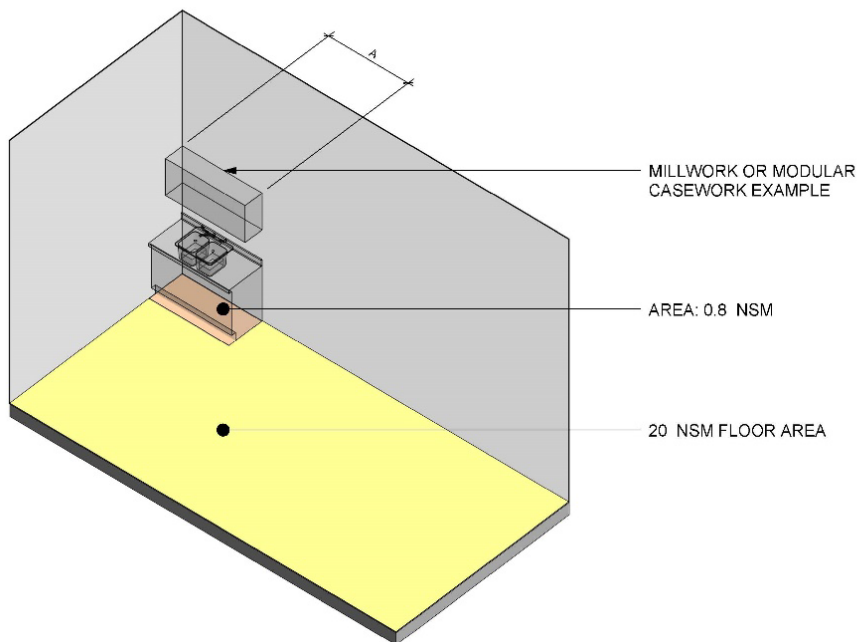
Ref. No.	Room Type	Category	Min. Millwork / Modular Casework Length	Counters/Cabinets/Shelvings														Miscellaneous					Modular Casework					
				Upper Cabinets			Lower Cabinets									Reception / Transaction Counter / Team Care Station Desk		Wallmounted Modular Shelving		Height Adjustable	Patient Wardrobe	Recessed Toiletries Shelves		PACS Wallmounted Workstation	Downtime Chart Storage	Recycling Accomodation		
				U1	U2	U3	L1	L2	L3	L4	L5	L7	L8	L9	TC1	TC2	WM1	WM2										
O4.10	Workstation-Mechanical Supervisor	3	1500	✓				✓												✓							✓	
O4.11	Workstation-Carpentry Supervisor	3	1500	✓				✓												✓							✓	
O4.13	FM Maintenance Operations	0		REFER TO SCHEDULE 3 - DESIGN AND CONSTRUCTION SPECIFICATIONS																								
O4.14	Store-Office Support-Large	3	1500	✓		✓			✓																			
O4.15	Locksmith	2	1500					✓																				✓
O4.16	Shop-Bed/Stretcher/Ceiling Lift	3	6300	✓		✓		✓		✓	✓																	✓
O4.17	Shop-Plumbing	3	7215	✓		✓		✓		✓	✓																	✓
O4.18	Shop-Mechanical	3	7215	✓		✓		✓		✓	✓																	✓
O4.19	Shop-Welding	3	2400	✓		✓		✓		✓	✓																	✓
O4.20	Shop-Electrical	3	22200	✓		✓		✓		✓	✓																	✓
O4.21	Shop-Carpentry	2	9615	✓		✓		✓		✓	✓																	✓
O4.22	Shop-Paint	1	915	✓		✓		✓		✓	✓																	✓
O4.26	Store-Construction Tools	0		REFER TO SCHEDULE 3 - DESIGN AND CONSTRUCTION SPECIFICATIONS																								
O4.27	Store-Parts/Supplies	0		REFER TO SCHEDULE 3 - DESIGN AND CONSTRUCTION SPECIFICATIONS																								
O4.28	Store-Pipe	0		REFER TO SCHEDULE 3 - DESIGN AND CONSTRUCTION SPECIFICATIONS																								
O4.29	Store-Construction Materials	0		REFER TO SCHEDULE 3 - DESIGN AND CONSTRUCTION SPECIFICATIONS																								
O4.30	Shop-AGV	3	4500	✓		✓		✓		✓	✓																	✓
O5 - LOGISTICS CENTRE																												
O5.1	Office-Private-Logistics Centre Clerk	1	500																									✓
O5.2	Office-Private-Logistics Centre Analyst	1	500																									✓
O5.3	Office-Private-Logistics Centre Coordinator	1	500																									✓
O5.4	Office-Private-Replenishment Coordinator	1	500																									✓
O5.5	Office-2 Shared-Call Centre-Support Services	1	700																									✓

APPENDIX 3L – ATTACHMENT 1

MILLWORK AND MODULAR CASEWORK METHODOLOGY DIAGRAM

1. This document outlines the methodology for calculating the Category of Millwork and Modular Casework to be provided for a room or space.
2. The total area of the Millwork or Modular Casework is the horizontal area footprint projected onto the floor plate, refer to the shaded area on the floor in the diagrams below.
3. The “Min. Millwork / Modular Casework Length” listed in Appendix 3L Millwork and Modular Casework Matrix is the total combined length of dimensions “A” and “B” shown in the diagrams.
4. The “Min. Millwork / Modular Casework Length” listed will be increased as required to suit the Owner’s requirements to within the percentages listed within each Category.
5. The “Min. Millwork / Modular Casework Length” is exclusive of any length for the items listed under ‘Miscellaneous’ in Appendix 3L Millwork and Modular Casework Matrix.
6. Wherever PACS Wallmounted Workstations are required in Appendix 3L Millwork and Modular Casework Matrix, Project Co will provide all monitor and equipment mounting brackets and supports.
7. Example 1: Category 1 - Low (1% - 4%)

A - REFER TO THE APPENDIX 3L MILLWORK AND MODULAR CASEWORK MATRIX FOR MINIMUM LENGTHS WHICH WILL BE INCREASED AS REQUIRED BASED ON THE % RANGE WITHIN THE SPECIFIED CATEGORY

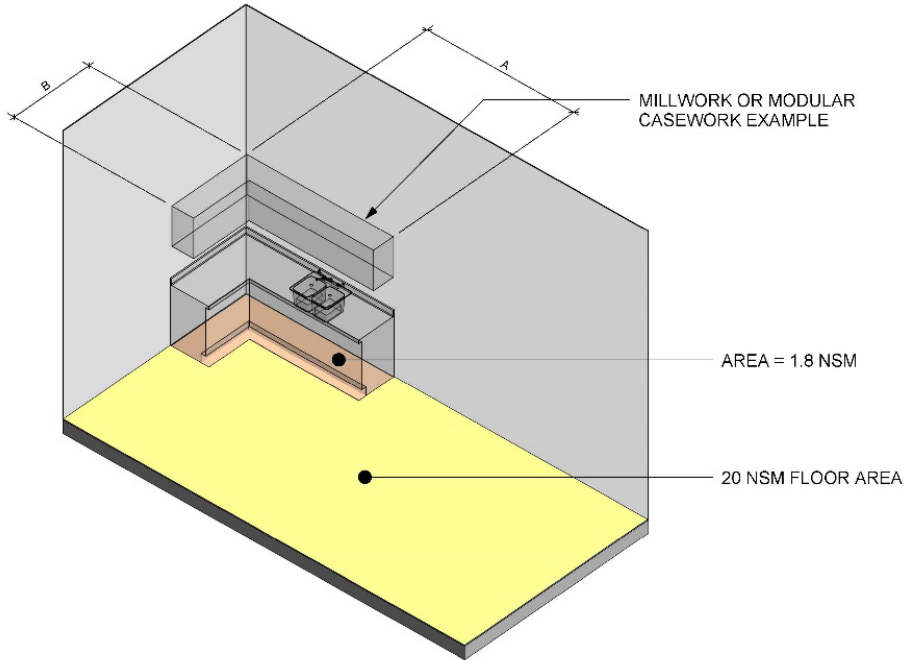


APPENDIX 3L – ATTACHMENT 1

MILLWORK AND MODULAR CASEWORK METHODOLOGY DIAGRAM

8. Example 2: Category 2 - Med (5% - 9%)

A & B - REFER TO THE APPENDIX 3I MILLWORK AND MODULAR CASEWORK MATRIX FOR MINIMUM LENGTHS WHICH WILL BE INCREASED AS REQUIRED BASED ON THE % RANGE WITHIN THE SPECIFIED CATEGORY



9. Example 3: Category 3 - High (10% or Greater)

A & B - REFER TO THE APPENDIX 3I MILLWORK AND MODULAR CASEWORK MATRIX FOR MINIMUM LENGTHS WHICH WILL BE INCREASED AS REQUIRED BASED ON THE % RANGE WITHIN THE SPECIFIED CATEGORY

